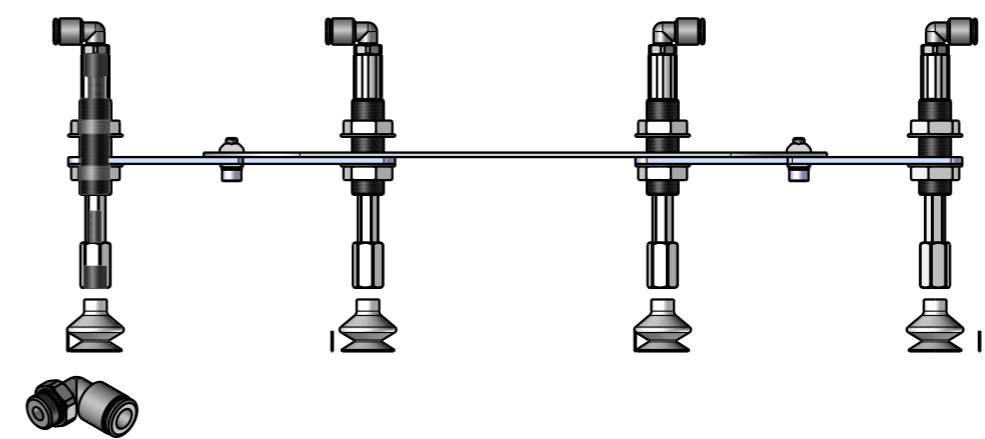
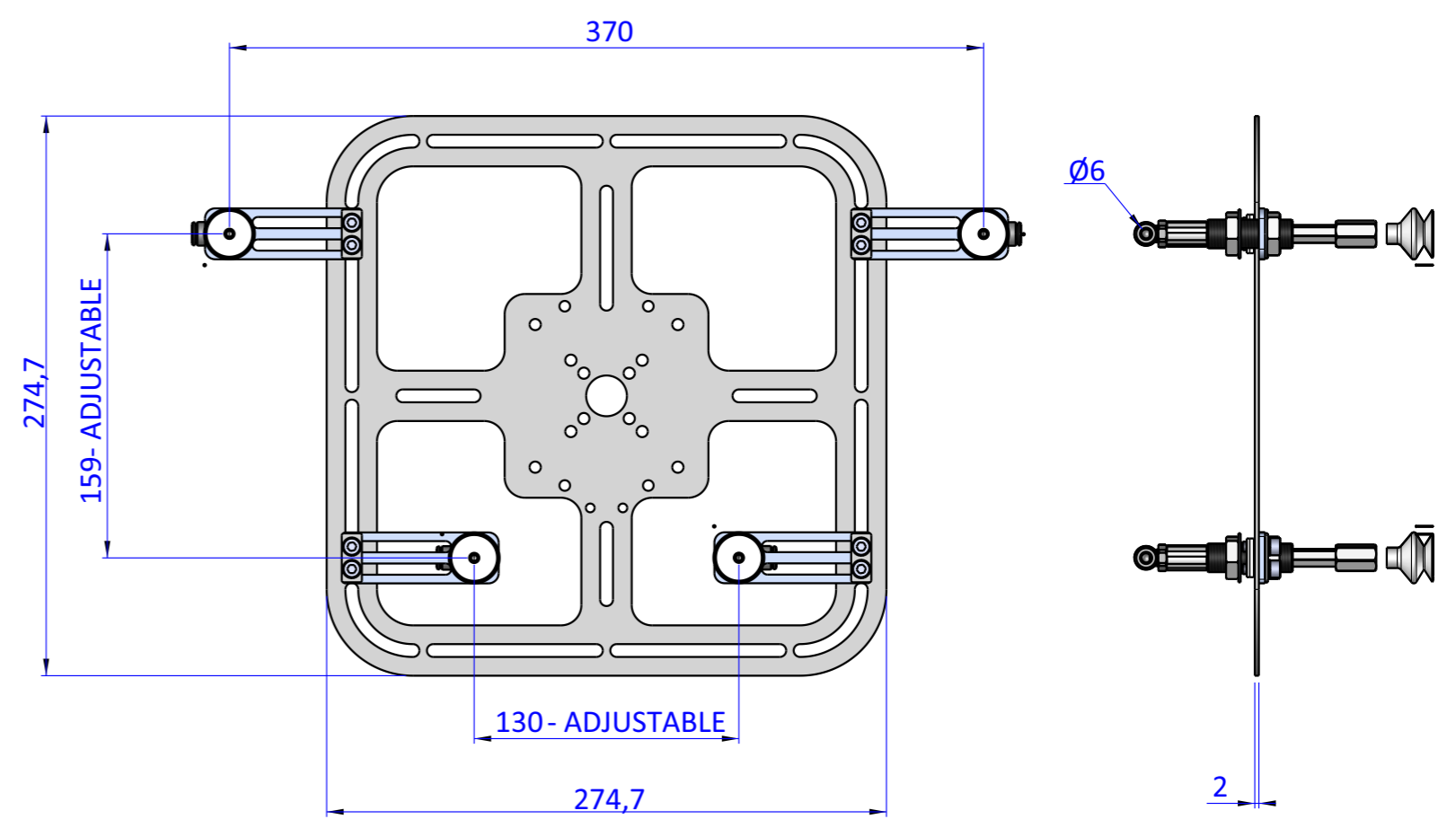
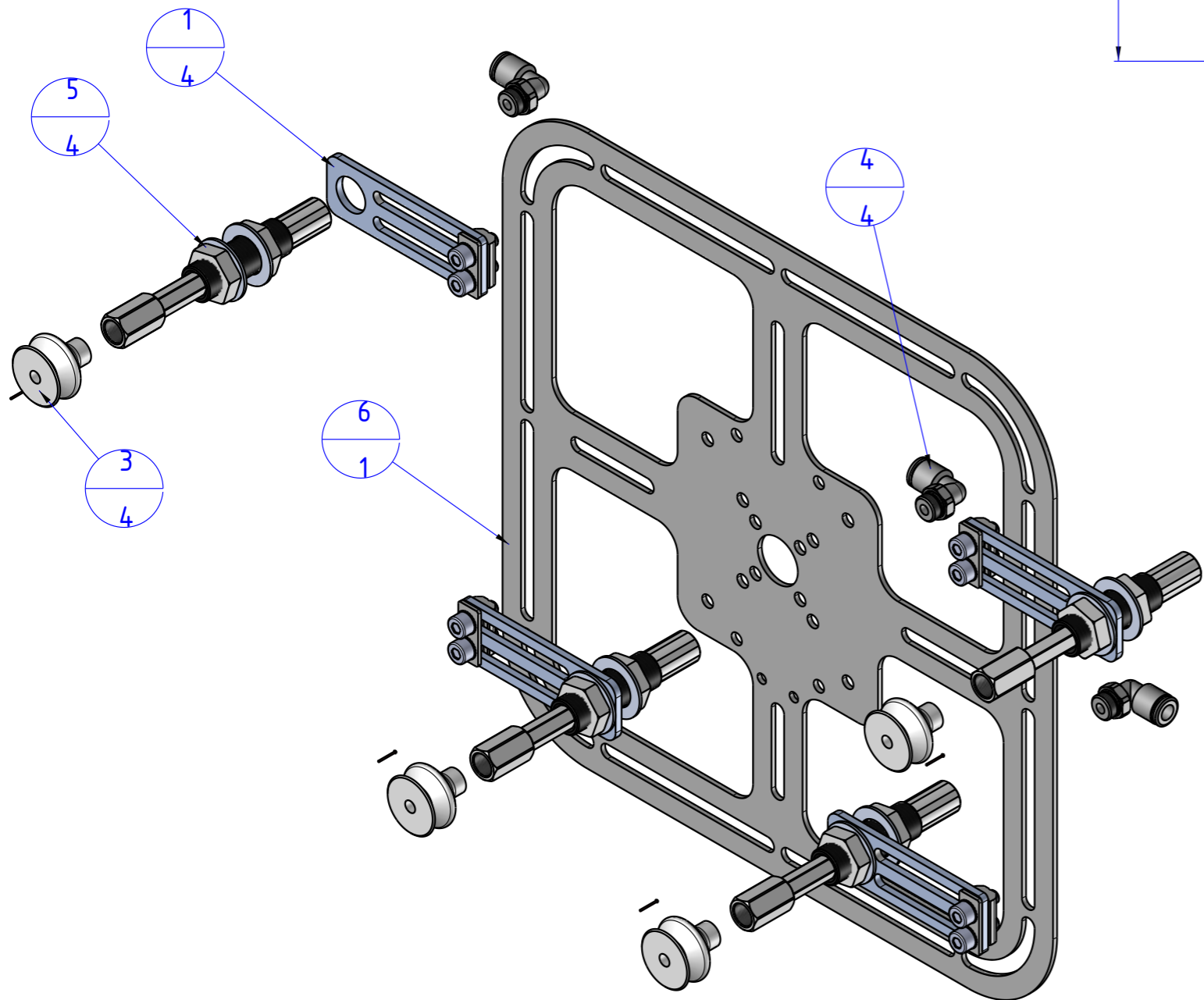

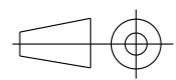


THE PROPERTY OF THE DRAWING IS ESTABLISHED BY LAW. IT IS FORBIDDEN TO PRODUCE OR SHOW IT TO THIRD PART. WITHOUT A WRITTEN AGREEMENT.

Item	Name	Q.ty
1	CA.04.20.14.X	4
2	CA.08.09.009	4
3	CA.08.30.005	4
4	CA.12.05.003	4
5	CA.SDNG.1420	4
6	PIA.275X275X2	1



Format A3
UNI 936-76

 FPS FPSERVICES AUTOMATION			DESIGNED FROM FPS Automation	REVIEW A
GENERAL TOLERANCE UNI - ISO 2768 CLASSE f	DESCRIPTION KIT.MA01	DATE -	WEIGHT 0,904kg	CODE KIT.MA01